



Destinastekskool
Destinata School



EKSAMINATOR/EXAMINER: F. MARX
MODERATOR: J. NAUDE

GR 11

Memorandum

INGENIEURSGRAFIKA EN –ONTWERP V2
ENGINEERING GRAPHICS AND DESIGN P2

Totaal/ Total: 160

Tyd/ Time: 2 ½ hrs/ure

INSTRUKSIES EN INLIGTING

- Beantwoord ALLE vrae.
- Alle tekene moet volgens skaal 1:1 gemaak word, tensy anders vermeld.
- Alle vrae moet op die gegewe antwoordvulle beantwoord word.
- Alle antwoordvulle moet weer in nommervolgorde vasgekrum en ingelewer word, ongeag of die vraag beantwoord is of nie.
- Sorgvuldige tydsbeplanning is nodig om alle vrae te beantwoord.
- Drukskrif/ou naam in die blokkie voorsien op elke antwoordvel.
- Alle antwoorde moet akkuraat en netjies gedoen word.
- Besonderhede of afmetings wat uitgelaat is moet in goeie verhouding beraam word.

INSTRUCTIONS AND INFORMATION

- Answer ALL the questions.
- All drawings must be drawn to scale 1:1, unless otherwise stated.
- The questions must be answered on the answer sheets provided.
- All the answer sheets must be re-stapled in numerical sequence and handed in irrespective of whether the question was attempted or not.
- Careful time management is essential in order to complete all the questions.
- Print your name in the block provided on every answer sheet.
- All answers must be drawn accurately and neatly.
- Any details or dimensions not given must be assumed in good proportion.

Punt/Mark	
-----------	--

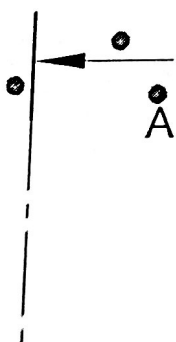
VOLTOOI / COMPLETE	
NAAM	_____
NAME	_____
DATUM	_____
DATE	_____

ANSWERS

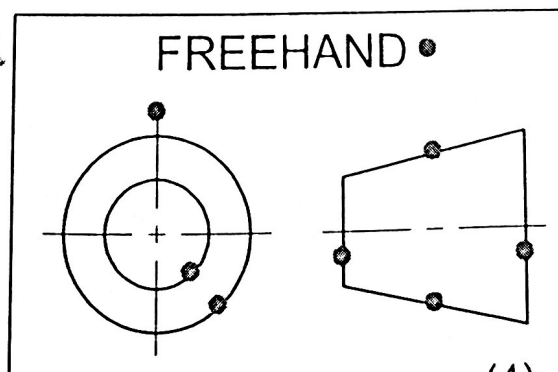
1	15/01/2014	1
2	CAST IRON	1
3	CAD	1
4	1	1
5	6	1
6	$\pm 0,25$	2x
7	7 mm	1
8	RIB / WEB	1
9	$\varnothing 30$	2
10	CHAMFER	1
11	120°	1
12	$\varnothing 5$	2
13	$\varnothing 20 / R10$	2
14	8 mm	1
15	HALF-SECTION	1
16	FULL-SECTION	1
17	PITCH CIRCLE DIAMETER	3x
18	3	1
19	LEFT VIEW	1
20		3
21		4
	TOTAL	29

32

ANSWER 20



ANSWER 21



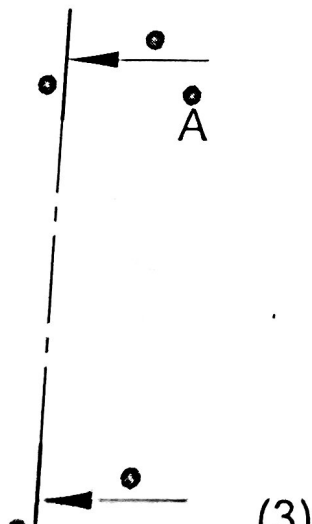
(1)

ANTWOORDE

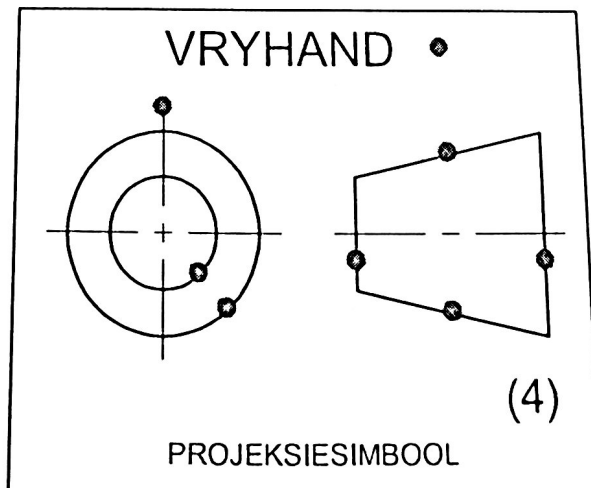
1	15/01/2014	1
2	GIETSTER	1
3	CAD / ROT	1
4	1	1
5	6	1
6	± 0,25	2
7	7 mm	1
8	RIB / WEB	1
9	Ø30	2
10	AFKANTING	1
11	120°	1
12	Ø5	2
13	Ø20 / R10	2
14	8 mm	1
15	HALF-DEURSNEE	1
16	VOL-DEURSNEE	1
17	STEEK SIRKEL DIAMETER	3
18	3	1
19	LINKERAANSIG	1
20		3
21		4
	TOTAAL	29

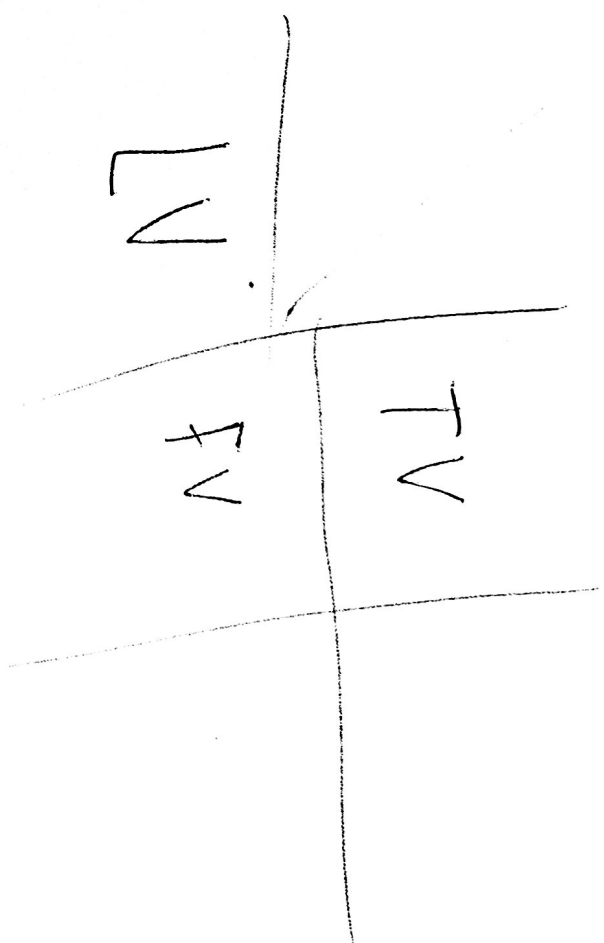
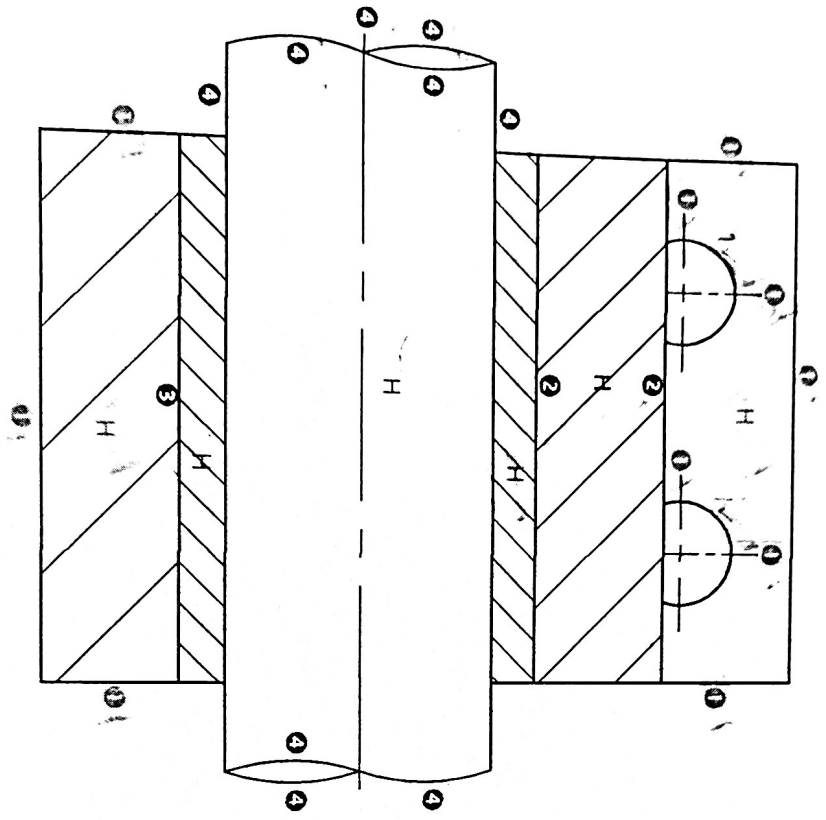
32

ANTWOORD 20

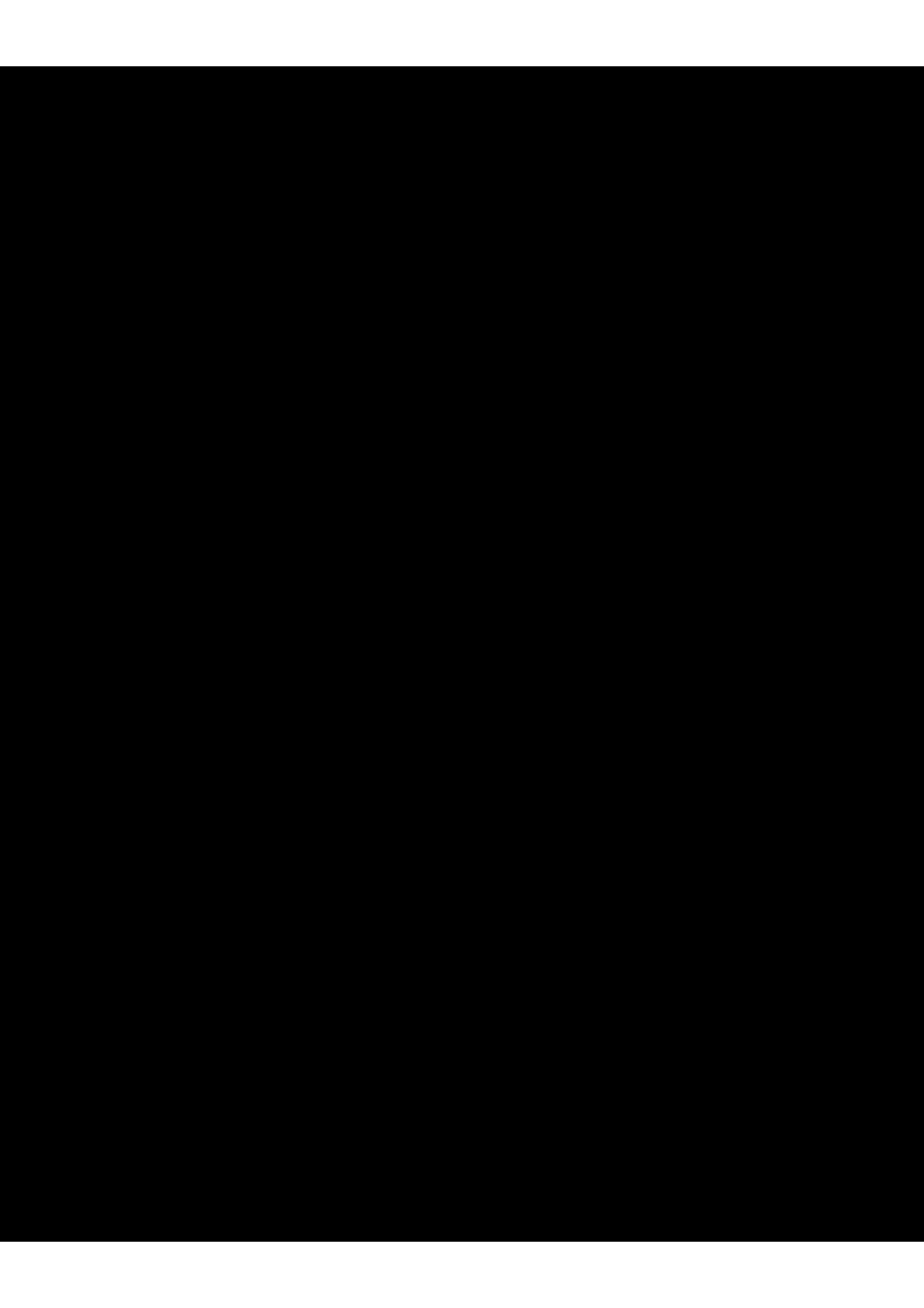


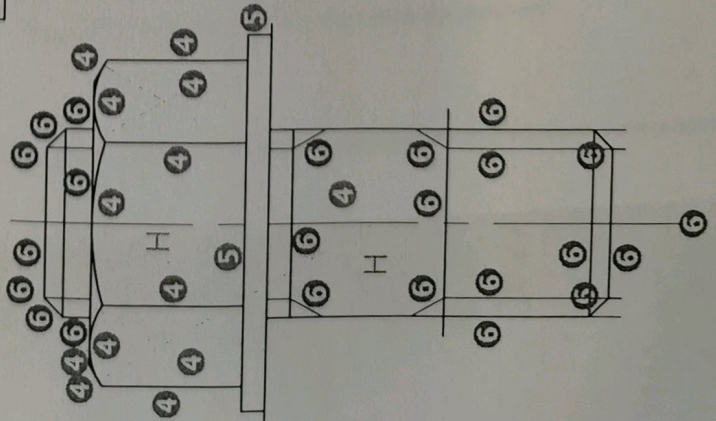
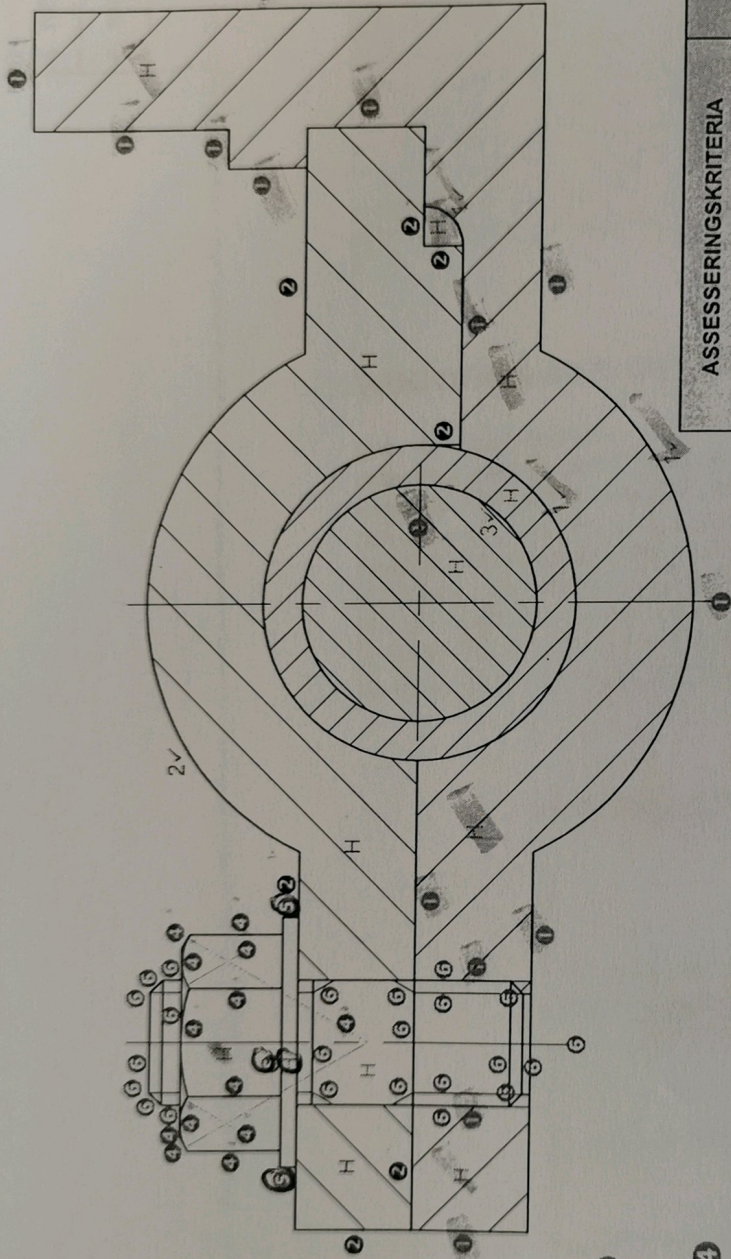
ANTWOORD 21



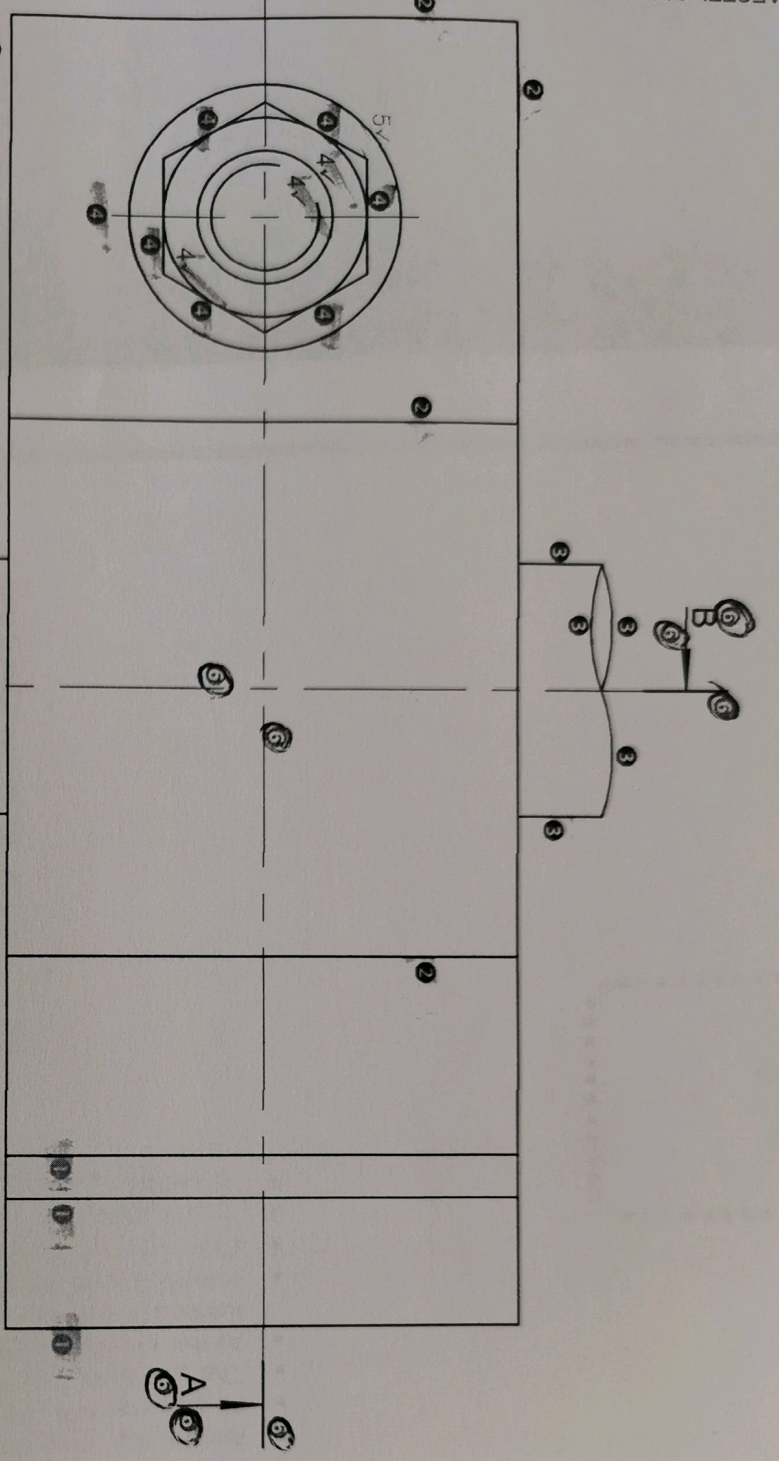


ASSESSERINGSKRITERIA		ASSESSMENT CRITERIA
DEURSNEE LINKERANSIG		SECTIONAL LEFT VIEW
1. BASIS	8	1. BASE
2. LAERDOP	1 1/2	2. BEARING CAP
3. LAER	1 1/2	3. BEARING
4. AS	5	4. SHAFT
SAMESTELLING		ASSEMBLY
DERDE HOEKSE PROJ		3rd ANGLE PROJ
	2	





ASSESSERINGSKRITERIA		ASSESSMENT CRITERIA	
DEURSNEE VOORAANSIG		SECTIONAL FRONT VIEW	
1. BASIS	13	1. BASE	13
2. LAERDOP	6	2. BEARING CAP	6
3. BUS & AS	2½	3. BUSH & SHAFT	2½
4. M16 MOER	7	4. M16 NUT	7
5. WASTER	2	5. WASHER	2
6. TAPBOUT	12	6. STUD	12
SUBTOTAAL 42½		SUB TOTAL 42½	



ASSESSERINGSKRITERIA		ASSESSMENT CRITERIA	
----------------------	--	---------------------	--

BO-AANSIG		TOP VIEW	
-----------	--	----------	--

1. BASIS	1 1/2	1. BASE	
2. LAERDOP	2 1/2	2. BEARING CAP	
3. AS	5	3. SHAFT	
4. M16 MOER EN TAPBOUT	6 1/2	4. M16 NUT & STOD	
5. WASTER	1	5. WASHER	
6. SNYVLAK	5	6. CUTTING PLANE	
SUBTOTAAL	23 1/2	SUB TOTAL	